

# EB1A

USB output module with one relay output



Compact  
size

Easy  
integration

Unlimited  
switching  
cycles

## Flexible, compact output

With the USB output module EB1A, an EE 980 control desk can easily be expanded with a relay output (normally open contact) by simply connecting the EB1A to an available USB port of the station. As a result, a floating, galvanically-isolated output contact is available immediately – e.g. for use with a door opener. The USB output module can then comfortably be configured via the station's web interface.

Thanks to latest PhotoMOS technology, the EB1A has a very long service life. In contrast to an electromechanical design, this relay output does not age – no matter how many switching cycles it has to handle. That is why the USB output module is also recommended for use with permanent-blinking lights. This high flexibility and the ease of integration make the EB1A a cost-efficient solution wherever an output to switch loads is needed.

## Features and highlights

- Cost-efficient possibility to expand an EE 980 control desk with a relay output
- Unlimited make-and-break cycles thanks to PhotoMOS technology
- Easy to integrate in an existing system
- Floating, galvanically-isolated relay output (normally open contact)
- Relay output can flexibly be loaded with direct or alternating current

# EB1A

## Technical specifications



### Technical data

<b>IP rating:</b>	IP20 (acc. EN 60529)
<b>Connection:</b>	USB 2.0 (Type A) max. 20 mA at 5 V
<b>Relay output:</b>	2-pin spring terminal (normally open contact) max. operation current: 1 A (up to 55 °C/131 °F; from 55 °C/131 °F, the max. operation current is reduced by 0.1 A per 10 °C) max. operation voltage: 20 VAC/30 VDC insulation voltage: 500 VAC
<b>Cabling:</b>	stripping length: 6 mm conductor cross-section solid: min. 0.14 mm <sup>2</sup> , max. 0.5 mm <sup>2</sup> conductor cross-section flexible: min. 0.2 mm <sup>2</sup> , max. 0.5 mm <sup>2</sup> conductor cross-section flexible, with ferrule and without plastic sleeve: min. 0.25 mm <sup>2</sup> , max. 0.5 mm <sup>2</sup> wire diameter: min. AWG 26, max. AWG 20
<b>Operating temperature range:</b>	-40 °C to +70 °C (-40 °F to +158 °F)
<b>Storage temperature range:</b>	-40 °C to +70 °C (-40 °F to +158 °F)
<b>Relative humidity:</b>	up to 90%, not condensing
<b>Weight incl. package:</b>	23 g (0.05 lbs)

### Extent of supply

- USB output module
- Short reference

### System requirements

- EE 980 (firmware version min. 1.4)

# EB1A

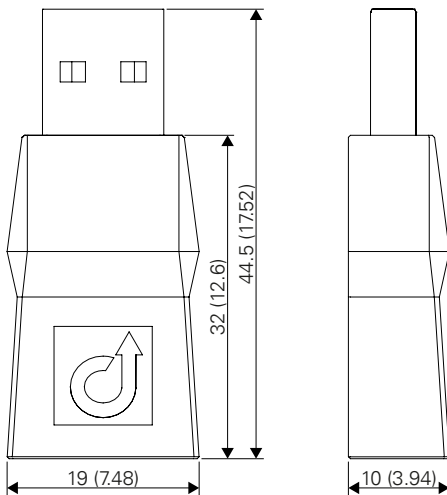
## Installation instructions

### Mounting instructions

- This device shall be installed or replaced by trained and qualified personnel only.
- Do not place the device in areas where it may become wet or damp, and avoid dusty, humid and high temperature environments.
- All connected circuits shall fulfil the requirements for Safety Extra Low Voltage (SELV) and Limited Power Source (LPS) according to IEC/EN 60950-1.
- Before using the device, ensure all cables are connected correctly and not damaged.
- Do not make any unauthorised modifications to the device.

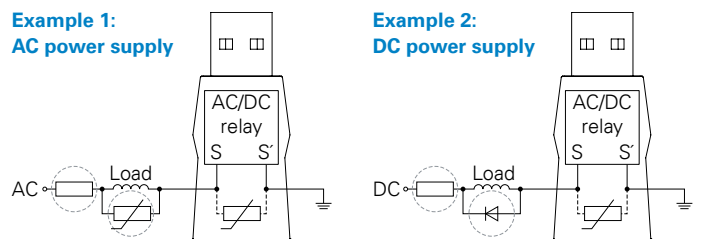
### Dimensions

Measuring units in mm (in), not to scale!



### Overload

The EB1A does not have any protection against overload. For this reason, it is recommended to include an external overvoltage protection into the load circuit (especially for inductive loads).



### Quality tested. Reliable. Smart.

COMMEND products are developed and manufactured by Commend International in Salzburg, Austria.

The development and manufacturing processes are certified in accordance with **EN ISO 9001:2015**.



The technical data contained herein has been provided solely for informational purposes and is not legally binding. Subject to change, technical or otherwise. lolP®, OpenDuplex® and Commend® are trademarks registered by Commend International GmbH. All other brands or product names are trademarks or registered trademarks of the respective owner and have not been specifically earmarked.

### A strong worldwide network

COMMEND is represented all over the world by local Commend Partners and helps to improve security and communication with tailored Intercom solutions.

[www.commend.com](http://www.commend.com)